

05B	VALUE CHANGE C143,C144,R134	OF.A.S	OW	CK	OW	28SEP06
05A	DCO 02001-004	SA	OW	CK	OW	230103
04B	RESISTOR AND INDUCTOR VALUE CHANGES	SA	OW	CK	OW	140103
04A	DCO 02001-003	SA	OW	CK	OW	201102
03A	DCO 02001-002	SA	OW	CK	OW	111002
02	ADDITIONAL UPGRADE	ET	PG			250602
01A	CLONED FROM 226-00208-05A	PG		?	?	200502
REV/ISS	AMENDMENTS	DRAWN	CHKD	D.O.	APVD	DATE

TOPBAD
BADMARK

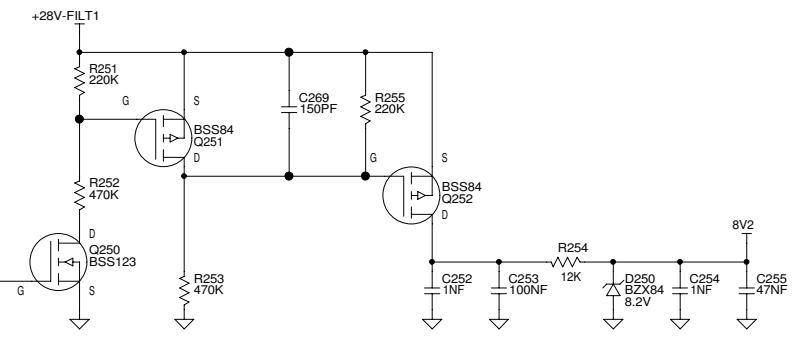
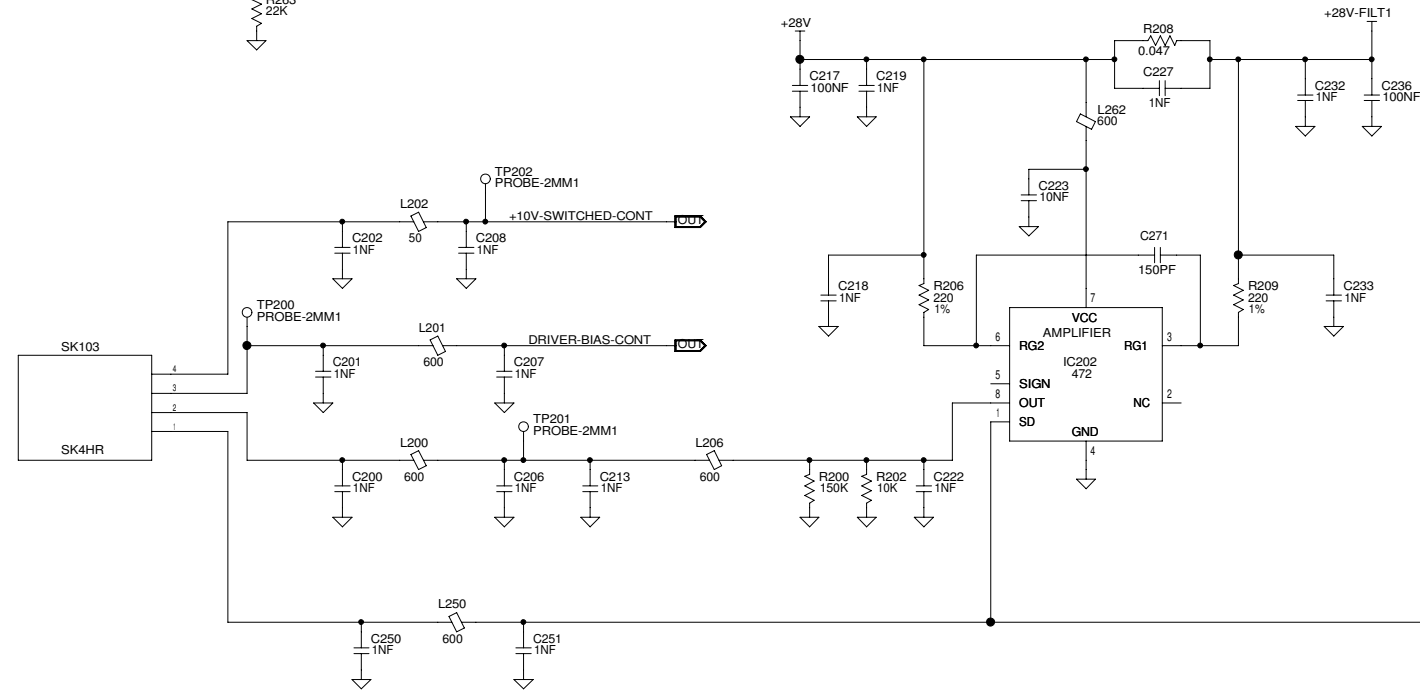
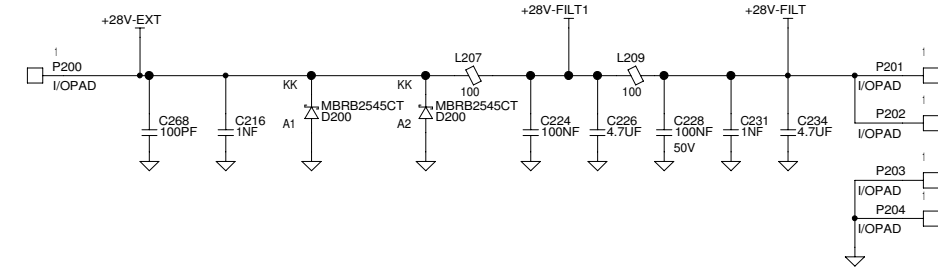
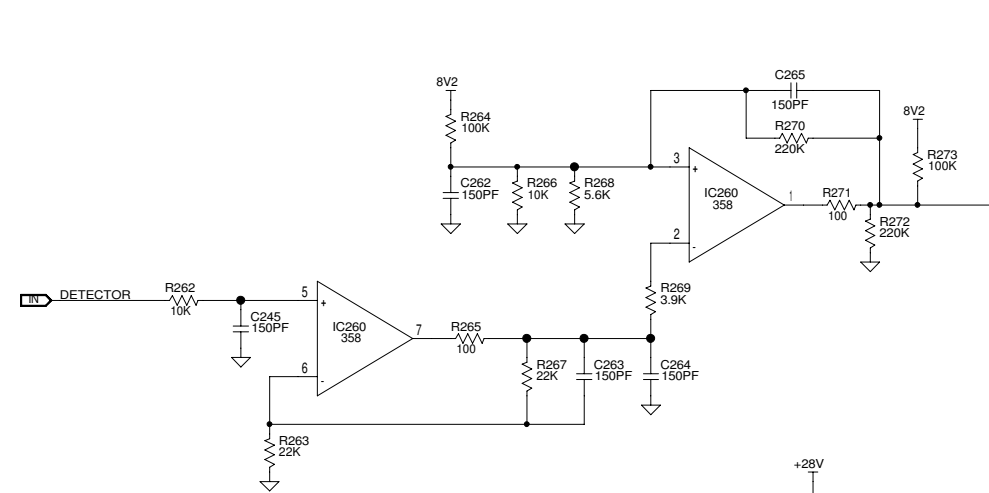
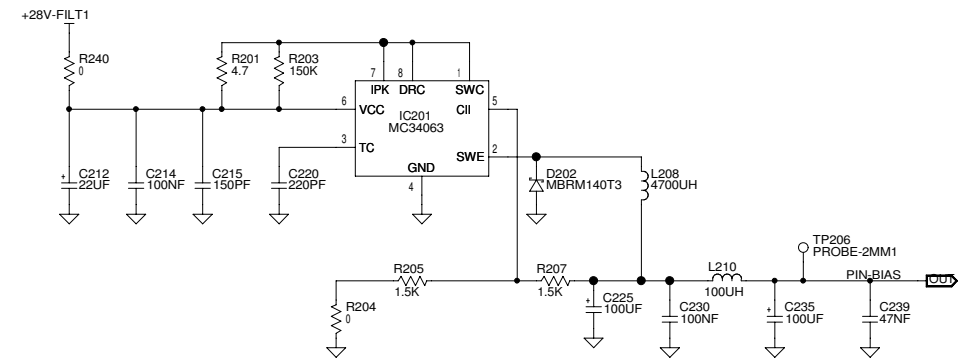
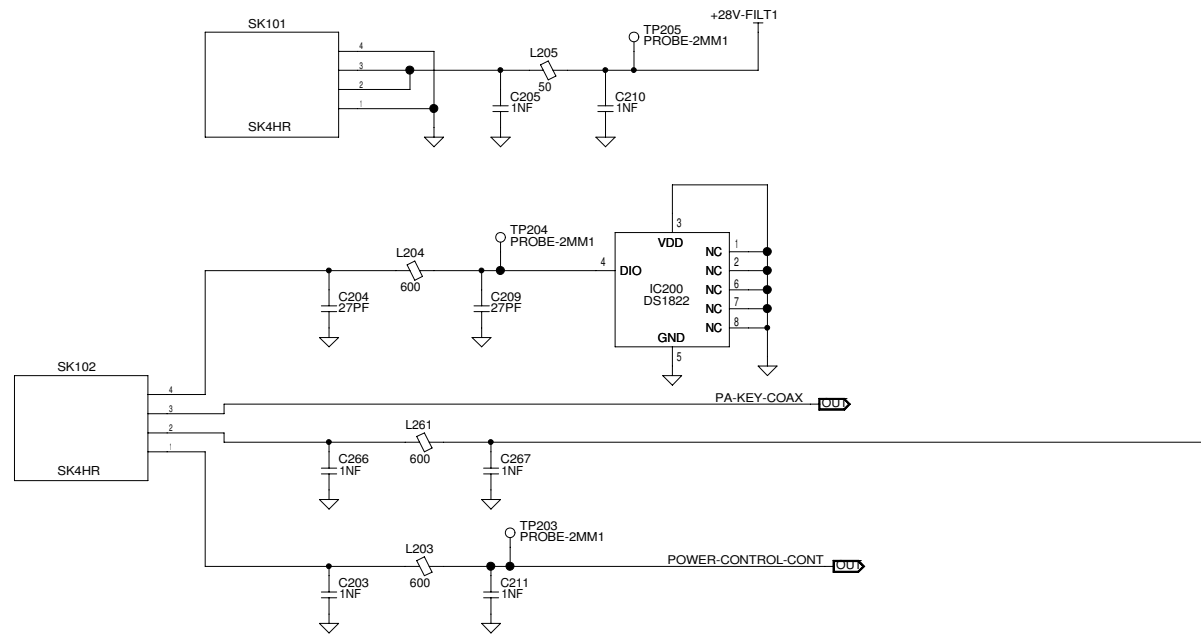
© TAIT ELECTRONICS A1

**T8000
6W MODULE**

IPN: 220-02001-05 ISSUE: B VARIANT NUMBER: ?

FILE DATE: Tue Oct 03 12:03:12 2006

ENGINEER: OW FILE NAME: 220_02001 SHEET NUMBER: 1 OF 2



05B	VALUE CHANGE C143,C144,R134	OF.A.S	OW	OK	OW	28SEP06
05A	DCO 02001-004	SA	OW	CK	OW	230103
04B	RESISTOR AND INDUCTOR VALUE CHANGES	SA	OW	CK	OW	140103
04A	DCO 02001-003	SA	OW	CK	OW	201102
03A	DCO 02001-002	SA	OW	CK	OW	1/10/02
02	ADDITIONAL UPGRADE	ET	PG			250602
01A	CLONED FROM 226-00208-05A	PG				200502
REV/ISS	AMENDMENTS	DRAWN	CHKD	D.O.	APVD	DATE

© TAIT ELECTRONICS		A1
T8000 6W MODULE		
IPN: 220-02001-05	ISSUE: B	VARIANT NUMBER: ?
FILE DATE: Tue Oct 03 12:03:18 2006		
ENGINEER: OW	FILE NAME: 220_02001	SHEET NUMBER: 2 OF 2